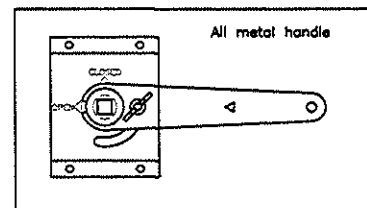
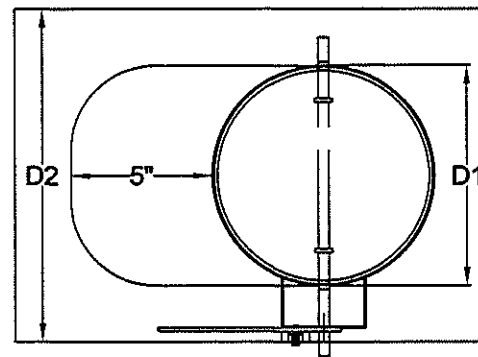
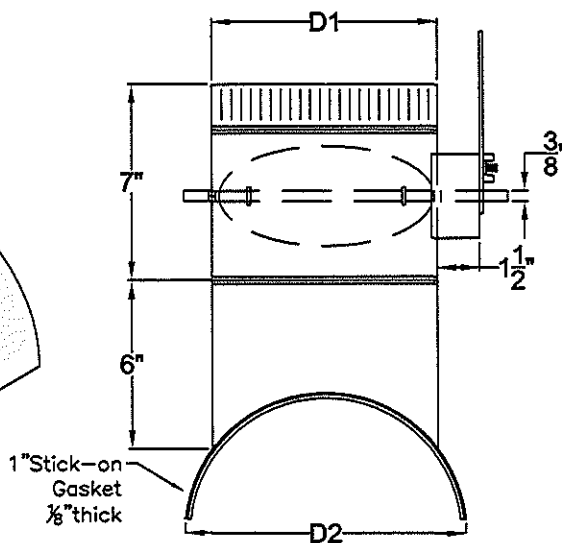
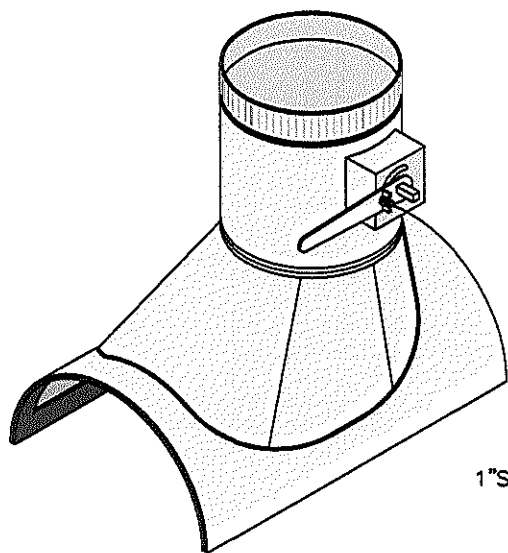


Damper blade material is 26 gauge galvanized sheet metal for 11" and smaller.

12" and larger damper blades are 20 gauge galvanized sheet metal.

Boot Saddle Damper

#M2626BoSaGaD



Specifications:

- Galvanized Steel
- 26 gage body/26 gage blade
- Actuator with 1.5" stand-off
- 3/8" continuous rod (Aluminum)
- Nylon bushings
- 1" stick-on gasket, 1/8" thick